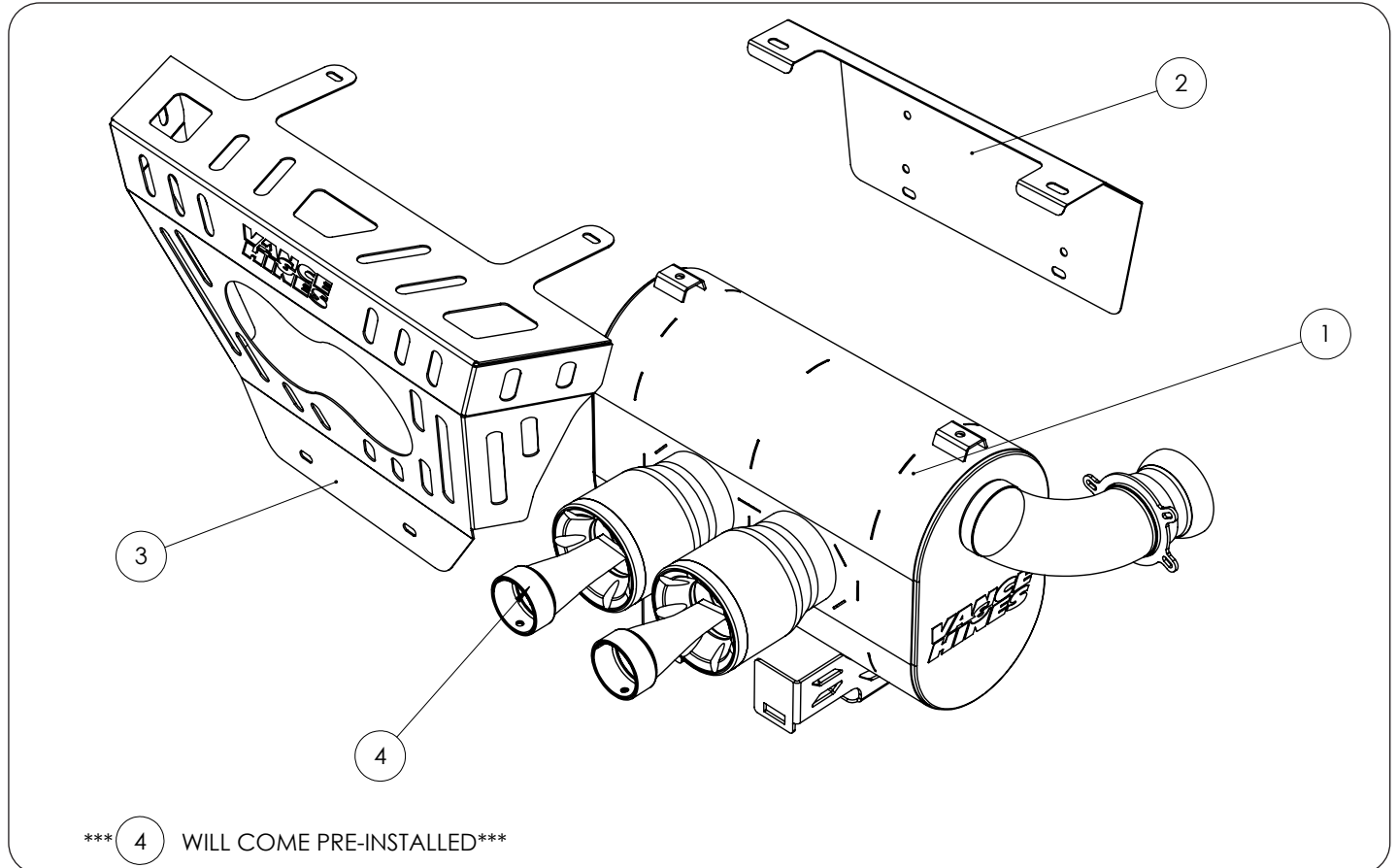


INSTALLATION INSTRUCTIONS: CAN-AM MAVERICK X3 MOJAVE SLIP-ON EXHAUST PART# 11017

Congratulations, you have purchased the finest exhaust available for your SXS. Your Vance & Hines exhaust is designed and crafted for performance, quality and style. Please follow the instructions below, check exhaust system for missing or damaged parts and if you need any assistance please contact our technical support line (562) 921-7461.

Fits 2017-2023 CAN-AM MAVERICK X3 models

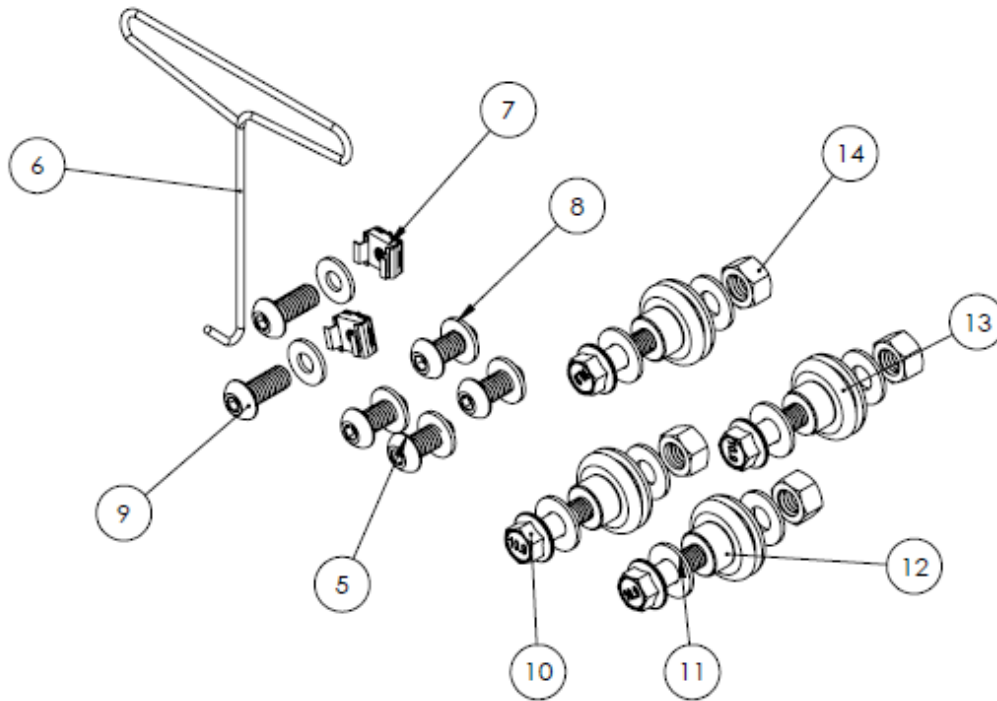


PARTS LIST

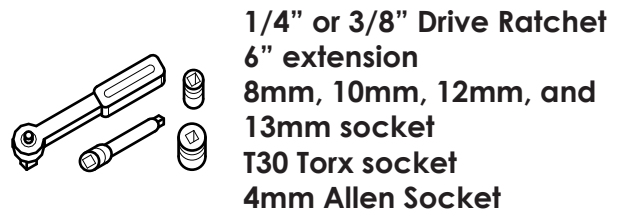
NO.	DESCRIPTION	QTY
1	MUFFLER BODY	1
2	HEAT SHIELD	1
3	REAR COVER	1
4	SPARK ARRESTOR	2
5	1/4-20 X 1/2 BHCS	4
6	SPRING PULLER TOOL	1
7	SNAP-IN NUT	2
8	WASHER BLK	6

NO.	DESCRIPTION	QTY.
9	1/4-20 X 3/4 BHCS BLK	2
10	M8X1.25X35mm FLANGE BOLT	4
11	OS WASHER M8 ZINC	8
12	ALUMINUM SPACER	4
13	RUBBER GROMMET	4
14	NUT LOCK ZINC M8	4

HARDWARE



TOOLS REQUIRED



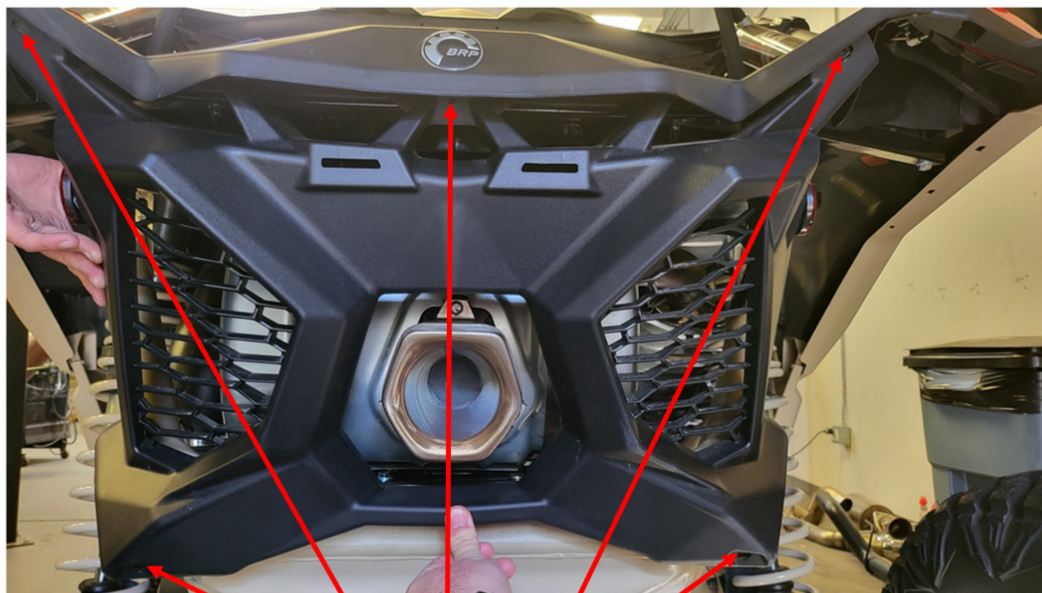
OEM SYSTEM REMOVAL

1. Loosen and remove OEM rear cover. See **FIG 1**. Recommend to remove clips as rear cover will not be reinstalled.
2. Loosen and remove OEM midpipe heat shield from bracket. Save hardware for reinstallation. See **FIG 2**.
3. Remove OEM exhaust springs (qty 4) and set aside for reinstallation. SEE **FIG 3**.
4. Remove OEM muffler, mount and heat shield from vehicle in three steps. SEE **FIG 2** and **FIG 4** below.
STEP 1: Remove mounting hardware from mounting bracket. Slide muffler away from mount and remove from vehicle. Reinstall exhaust gasket onto OEM midpipe if removed with muffler assembly.
STEP 2: remove muffler mount from transmission bracket.
Step 3: Remove OEM top heat shield and bracket. As it will not be re-installed.

V&H EXHAUST INSTALLATION

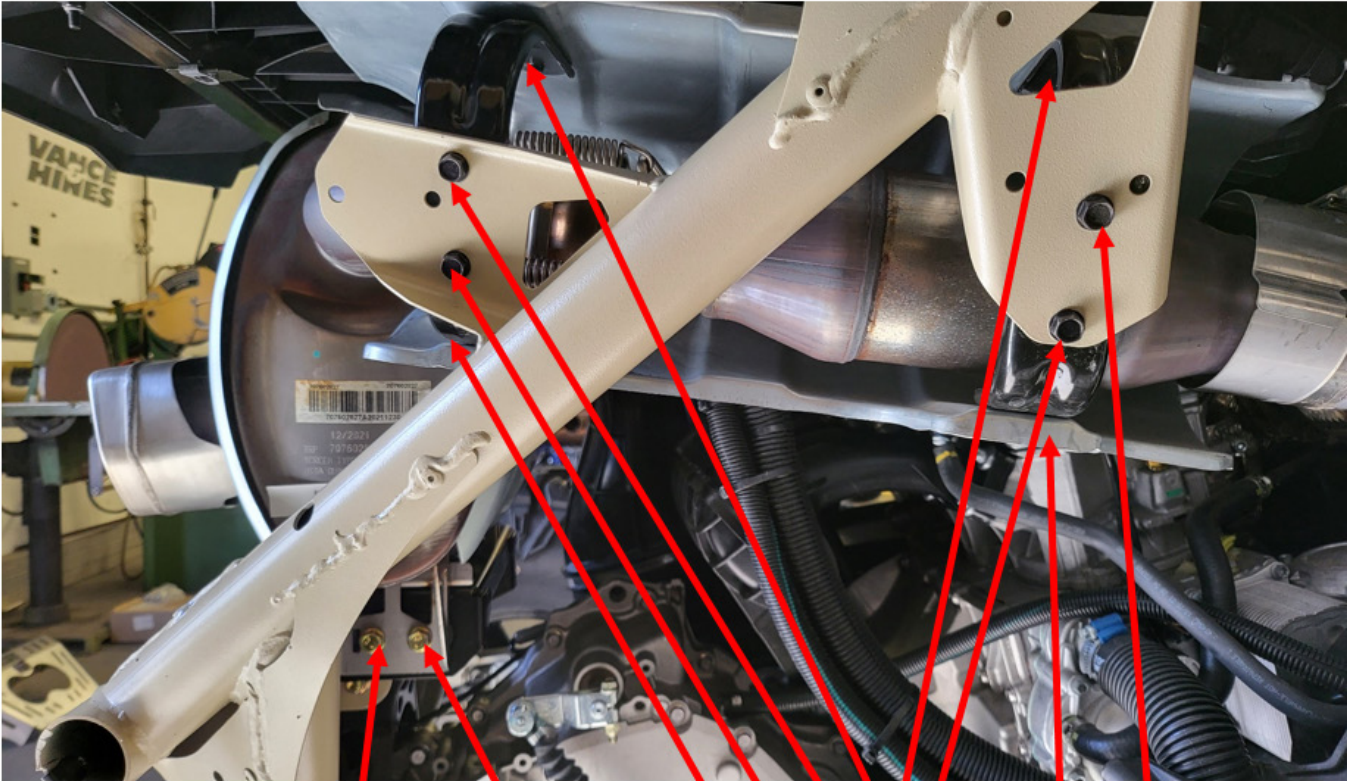
1. For a clear understanding of this installation, it is best to refer to the exploded view diagram while reading these instructions. Install snap-in nuts (#7) into bottom mounting brackets. SEE **FIG 6**. Install rubber grommets (#13) and aluminum spacers (#12) in bottom mounting brackets. SEE **FIG 5**.
1. Wipe muffler body down to remove finger prints from handling before installing heat shield and rear cover . Install heat shield (#2) to muffler body (#1) using (#5 and #8). Loosely install rear mounting bolts only. Loosely install rear cover (#3) using hardware(#5,#8,#9), #9 screws into snap-in nut #7 from step 1. See **FIG 6-8** below for more detail. Adjust and align covers as needed. Torque to 12 ft-lbs.
2. Insert hardware (#10 and #11) into muffler bracket and place system on mount. Hand tighten hardware (#10,#11 and #14). Make sure OEM gasket is installed on midpipe if not reinstall. Reinstall OEM exhaust springs using spring puller tool. Check tip and cover alignment. Once satisfied with position torque mounting hardware. Torque to 30 ft-lbs. Reinstall OEM midpipe heat shield. Torque to 12 ft-lbs. Start vehicle to check for leaks and any rattles.

FIGURE 1: REAR COVER BOLT LOCATION



REMOVE THESE BOLTS
FROM REAR COVER.

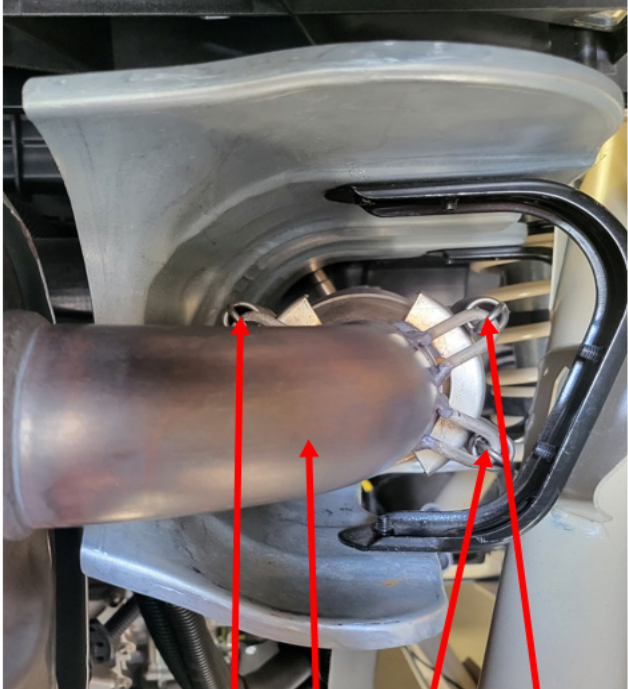
FIGURE 2: HEAT SHIELD AND MUFFLER HARDWARE



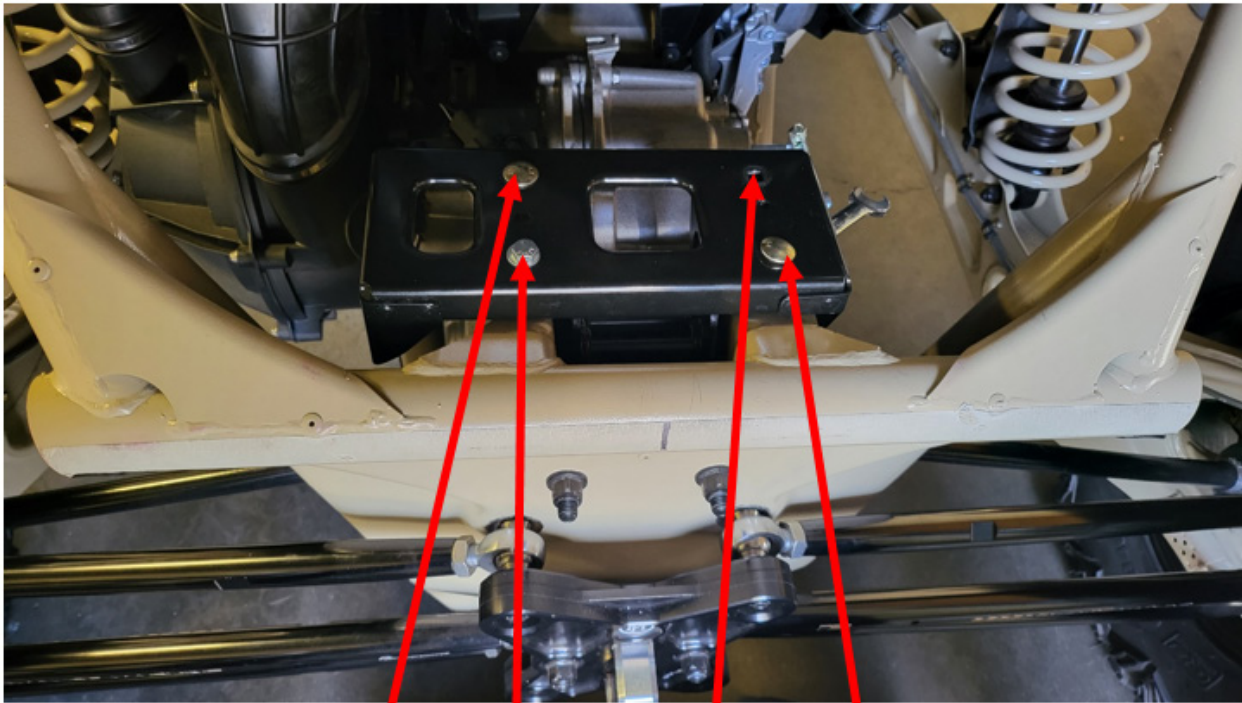
REMOVE THESE BOLTS FROM BOTH SIDES OF OEM MUFFLER.

REMOVE THESE (8X) BOLTS TO LOOSEN HEAT SHIELD.

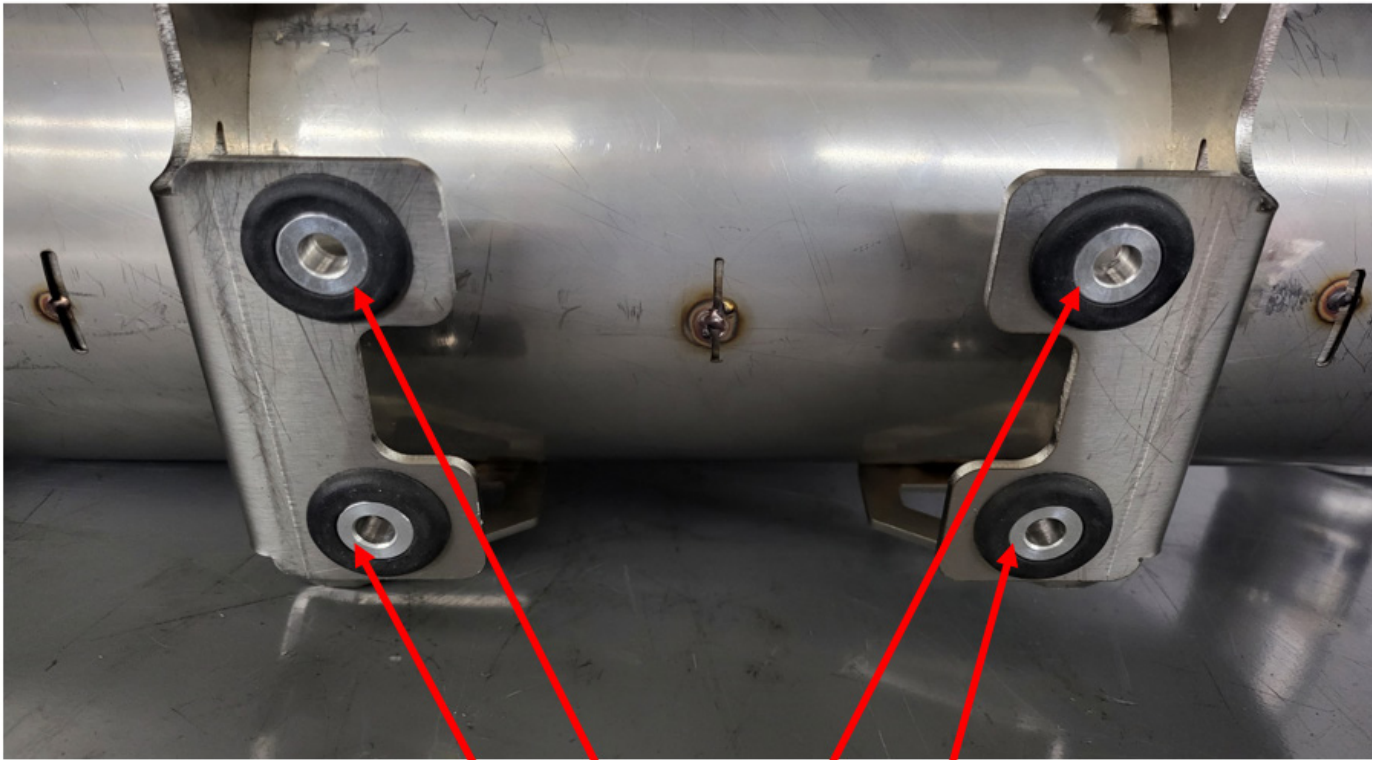
FIGURE 3: EXHAUST SPRING LOCATION



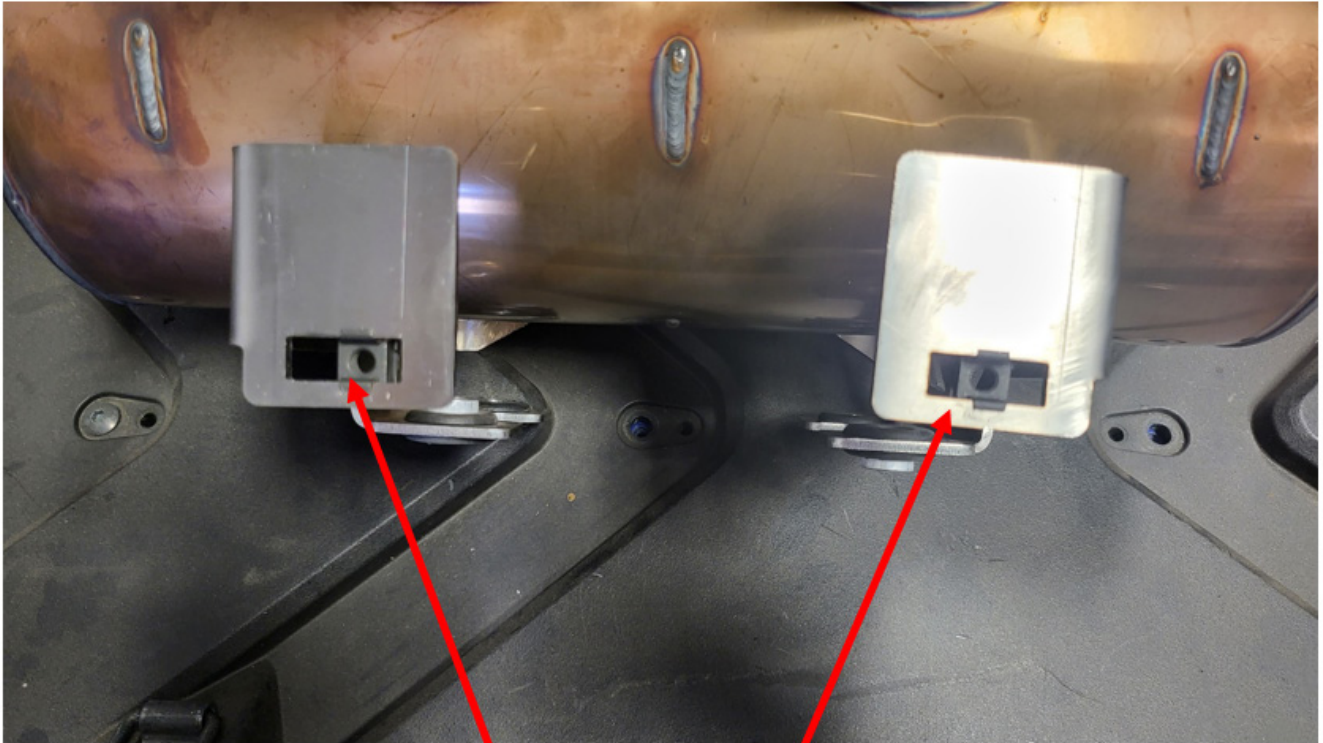
REMOVE THESE SPRINGS TO RELEASE TENSION ON SYSTEM.

FIGURE 4: MUFFLER MOUNT

REMOVE THESE 4 CARRIAGE BOLTS AND NUTS FROM BOTTOM BRACKET. THEN REMOVE OEM MUFFLER BRACKET FROM VEHICLE.

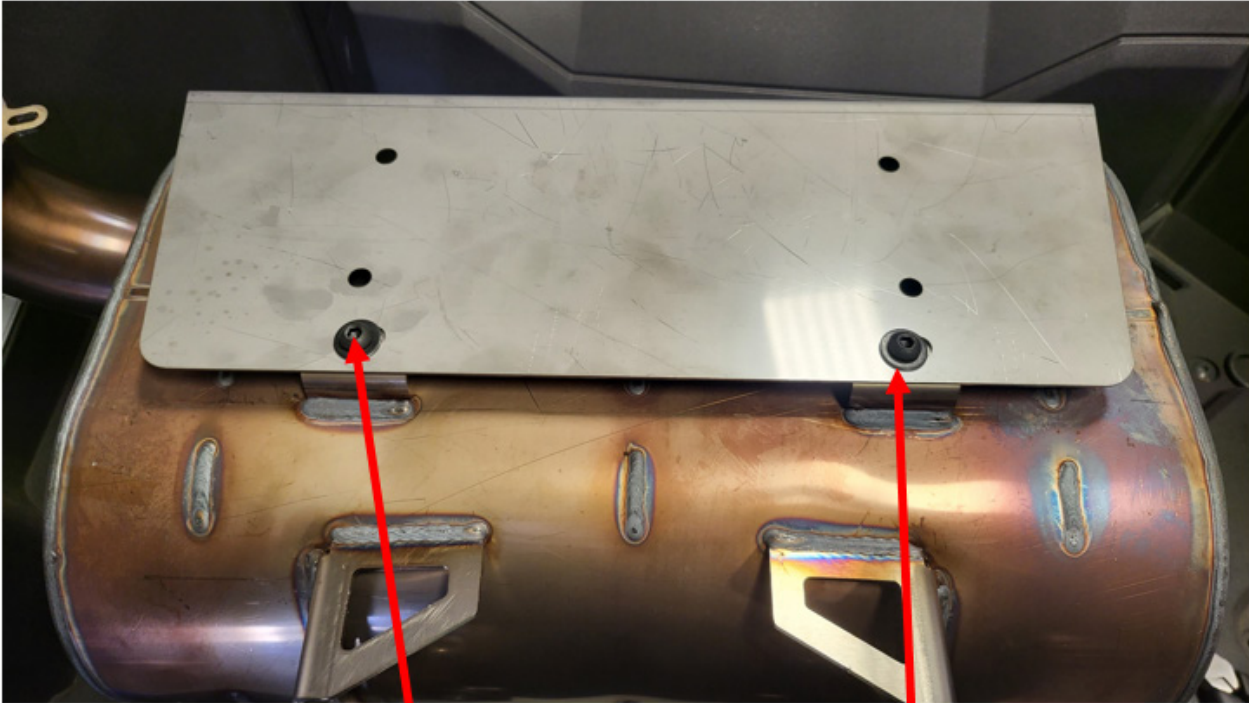
FIGURE 5: GROMMET INSTALLATION

**INSTALL RUBBER GROMMETS IN LOWER
MOUNTS. THEN INSTALL ALUMINUM SPACERS.**

FIGURE 6: SNAP-IN NUT INSTALLATION

**INSERT SNAP-IN NUT INTO
LOWER MOUNTING BRACKETS.**

FIGURE 7: REAR HEAT SHIELD



**LOOSELY FASTEN REAR HEAT SHIELD USING
BOTTOM HOLES ONLY.**

FIGURE 8: HEAT SHIELD TOP MOUNT



LOOSELY FASTEN FRONT HEAT SHIELD TO MUFFLER ASSEMBLY. ADJUST HEAT SHIELD TO TIP ALIGNMENT AS NEEDED.

Emissions Notice:

In California, in order to meet Air Resources Board emissions requirements, certain aftermarket part applications have been identified as replacements, and others have received ARB Executive Orders. All other emissions related aftermarket parts are for competition use only. A list of replacement parts and EO parts, and corresponding [fitment](http://vanceandhines.com/California) is provided at vanceandhines.com/California.

Warranty:

All Vance & Hines products are warranted against defects in material and workmanship for a period of 90 days. This warranty does not cover discoloration or rust. This warranty shall be limited to the repair or replacement of the product, which may be proven defective under normal use. Vance & Hines will not warranty any system that has been abused, misused, improperly installed or modified.

Dealers or distributors are not authorized to make dispositions binding upon Vance & Hines. Vance & Hines will not be responsible for any labor charges incurred in removing or replacing any system under warranty. A return authorization number and a copy of the original purchase invoice must accompany all returns. Parts returned without a return authorization may be refused.]