

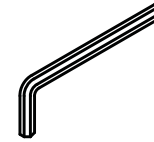
VANCE AND HINES
TURNDOWN SLIP-ON QUIET SOUND INSERT
INSTALLATION INSTRUCTIONS
PART# 21931



Congratulations, you have purchased the finest exhaust system accessory for your motorcycle on the market. Your Vance & Hines exhaust system is designed and crafted for maximum performance, a perfect fit, a great sound and unbeatable style. Please follow the installation instructions below and if you have any questions, please call our technical support line at (562) 926-5291.

Attention installer (if other than owner), please forward this instruction sheet to the owner of this product. These instructions contain valuable information to the end user.

TOOLS
REQUIRED



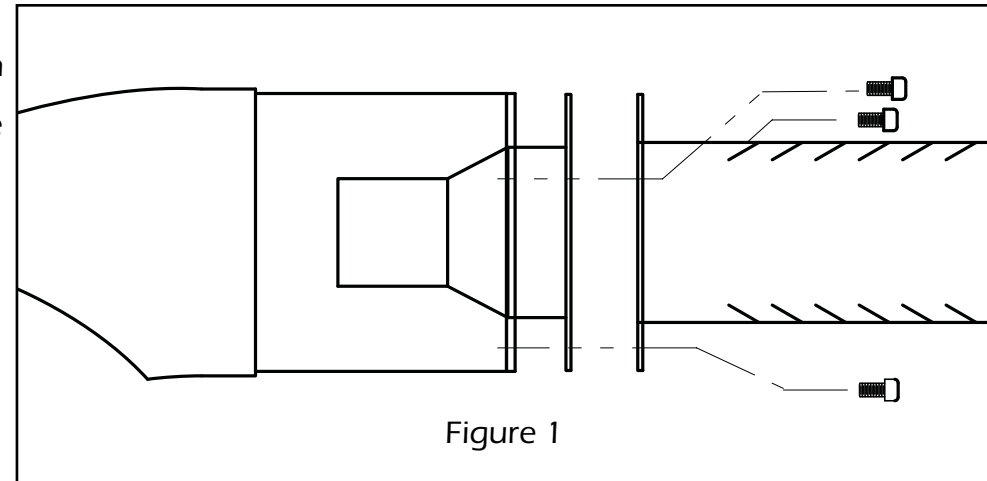
5/32" Allen wrench

[A rubber mallet may be needed to remove & install tips]

READ ALL INSTRUCTIONS BEFORE BEGINNING INSTALLATION

VANCE & HINES QUIET
INSERT INSTALLATION

1. Unscrew the two 1/4 inch button head bolts located on the bottom side of the muffler body. Retain hardware for later use.
2. Remove end cap and baffle assembly from muffler body. NOTE: The baffles are made of light gauge material and can become distorted if not carefully removed. The baffle has a "slip" fit to the muffler body inlet, so the best way to remove the baffle is to use a slide hammer with an expanding end or with axle bearing removal fingers inserted into the baffle.
3. After removing the end cap and baffle, remove the three hex cap screws holding the end cap to the baffle and remove end cap. Save these screws for re-use.
4. Place quiet sound insert between baffle and end cap as shown in Figure 1.



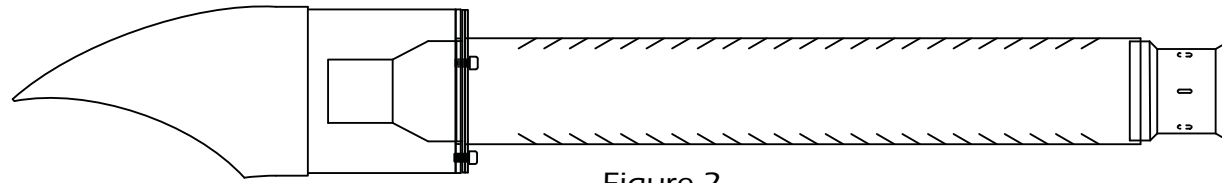


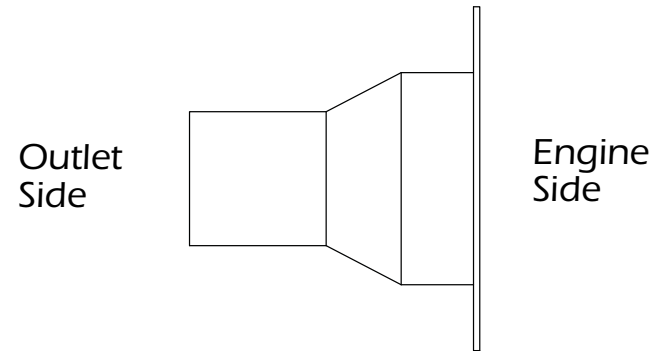
Figure 2

VANCE & HINES QUIET INSERT INSTALLATION

5. Re-insert hex cap screws, and tighten them to hold end cap, insert, and baffle together as shown in Figures 1 & 2.
6. Reinstall the baffle and end cap assembly into muffler body, aligning the end of the baffle over the muffler body inlet. A soft mallet may be needed to seat the assembly fully. Fasten assembly to muffler body using the two 1/4 inch button head bolts.
7. Be sure to tighten all hardware before starting your motorcycle.

After installation and before starting motorcycle, completely clean pipes and mufflers with cleaning solvent and a clean soft cloth that will not leave a residue. NOTE: Any residue, oil, or fingerprints will stain the chrome when the metal heats up.

PACKING LIST



V&H Quiet Sound Insert Assembly x 1

VANCE & HINES OPTIONAL ACCESSORIES

No optional accessories are available at this time.

WARRANTY

Vance & Hines exhaust systems are warranted against defects in material and workmanship for a period of 90 days from the date of purchase from an authorized dealer. This warranty does not cover discoloration of chrome finishes. This warranty is limited to the repair or replacement of a product proven to be defective from normal use. Vance & Hines exhaust systems are designed to fit and operate on OEM motor and chassis. This warranty does not cover any product subject to abuse, misuse, improper installation or modification.

13861 ROSECRANS AVENUE / SANTA FE SPRINGS, CA 90670
SALES: (562) 921-7461 / TECHNICAL: (562) 926-5291 / FAX: (562) 802-0110
VANCEANDHINES.COM