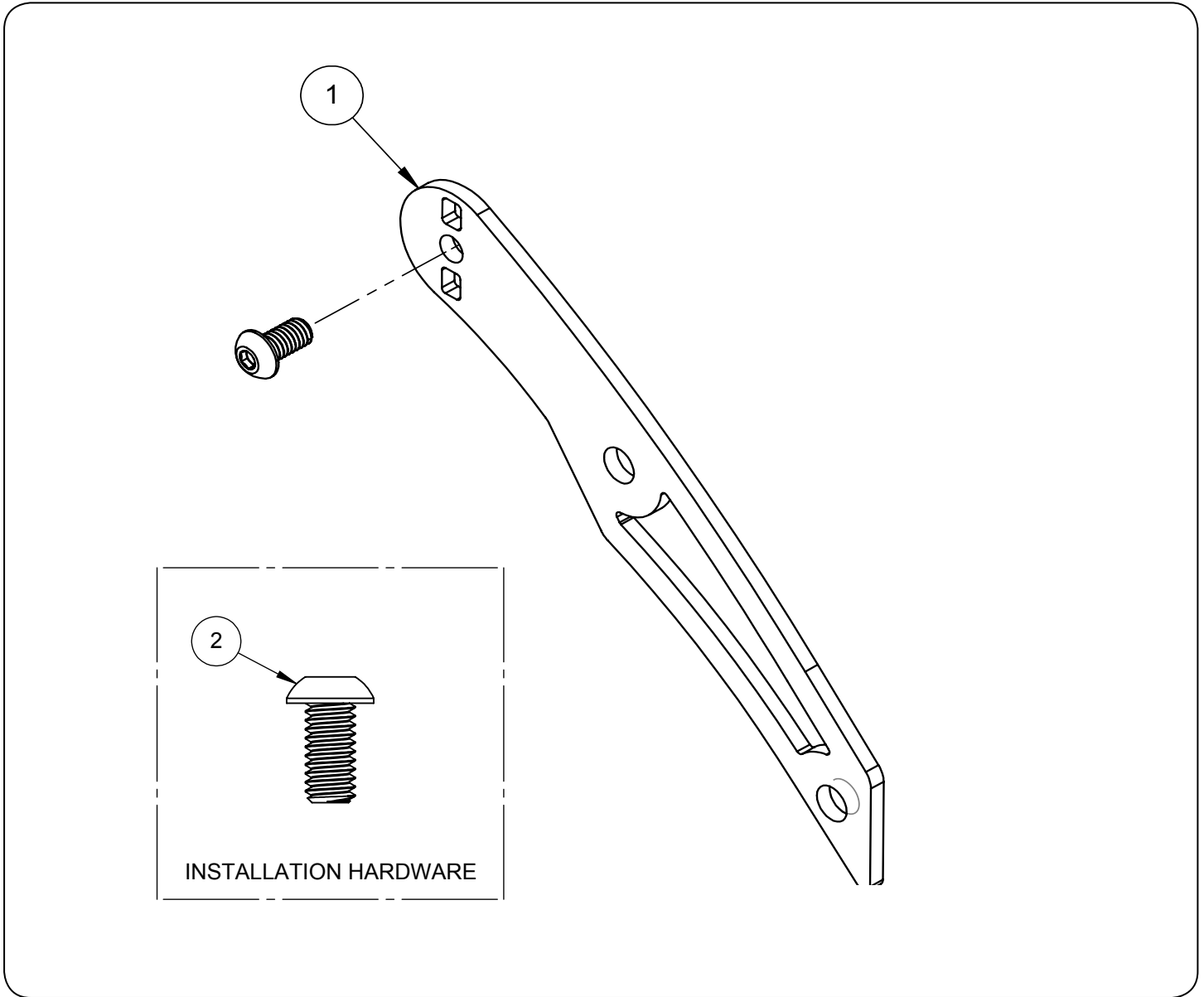




INSTALLATION INSTRUCTIONS:
HARLEY-DAVIDSON SOFTAIL
SADDLEBAG MOUNT BRACKET
PART# 21946

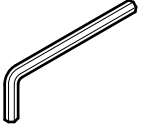
Please follow the instructions below, check package for missing or damaged parts and if you need any assistance please contact our technical support line (562) 921-7461.



PARTS LIST

NO.	Description	Qty.
1	SADDLEBAG MOUNT BRACKET	1
2	5/16-18 X 5/8 IN SS BUTTON HEAD	1

TOOLS REQUIRED



**Allen Wrenches: 3/16",
5/16"**

OEM SYSTEM REMOVAL / V&H AIR INTAKE INSTALLATION

NOTE: Exhaust must be off the bike to access saddlebag mounting fasteners.

1. Take off the OEM exhaust mounting bar. Save hardware for reuse.
2. Remove saddlebag rubber grommet and install onto the new bracket using fastener A435HW.
3. Install the new saddlebag mounting bracket using stock hardware. (see **FIGURE 1**)
4. After 100 miles check to be sure that all bolts are still tight. Periodically ensure that these screws remain tight.

FIGURE 1



Emissions Notice:

In California, in order to meet Air Resources Board emissions requirements, certain aftermarket part applications have been identified as replacements, and others have received ARB Executive Orders. All other emissions related aftermarket parts are for competition use only. A list of replacement parts and EO parts, and corresponding fitment is provided at vanceandhines.com/california.

Warranty:

All Vance & Hines products are warranted against defects in material and workmanship for a period of 90 days. This warranty does not cover discoloration or rust. This warranty shall be limited to the repair or replacement of the product, which may be proven defective under normal use. Vance & Hines will not warranty any system that has been abused, misused, improperly installed or modified.

Dealers or distributors are not authorized to make dispositions binding upon Vance & Hines. Vance & Hines will not be responsible for any labor charges incurred in removing or replacing any system under warranty. A return authorization number and a copy of the original purchase invoice must accompany all returns. Parts returned without a return authorization may be refused.

13861 ROSECRANS AVENUE / SANTA FE SPRINGS, CA 90670

SALES: (562) 921-5388

TECHNICAL: (562) 926-5291

FAX: (562) 802-0110

vanceandhines
.com