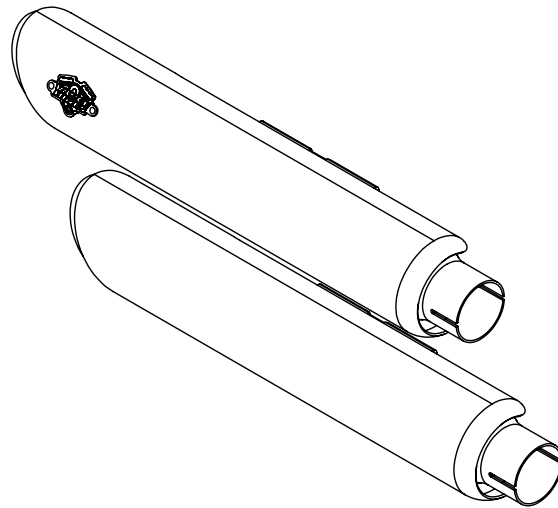


INSTALLATION INSTRUCTIONS: 2014-2022 HARLEY DAVIDSON SPORTSTER TWIN SLASH PCX SLIP-ON'S PART# 46361

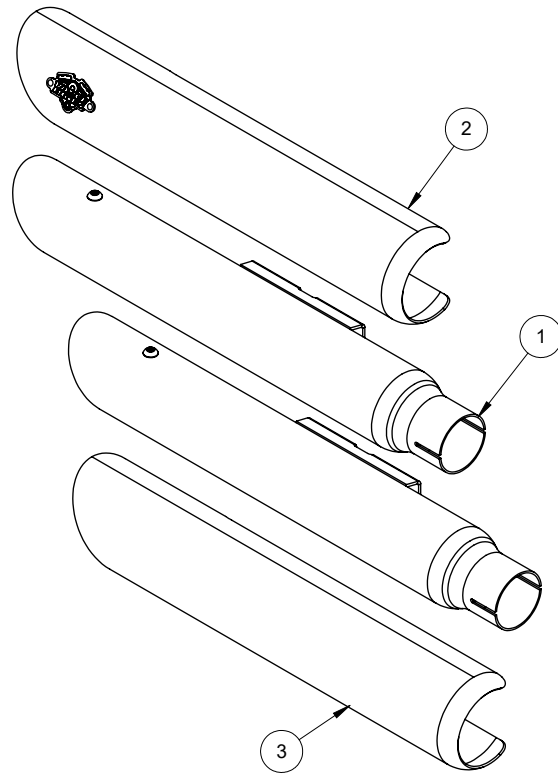
Congratulations, you have purchased the finest exhaust system available for your motorcycle. Your Vance & Hines exhaust is designed and crafted for performance, quality, and style. Please follow the instructions below, check exhaust system for missing or damaged parts and if you need any assistance please contact our technical support line (562) 921-7461.



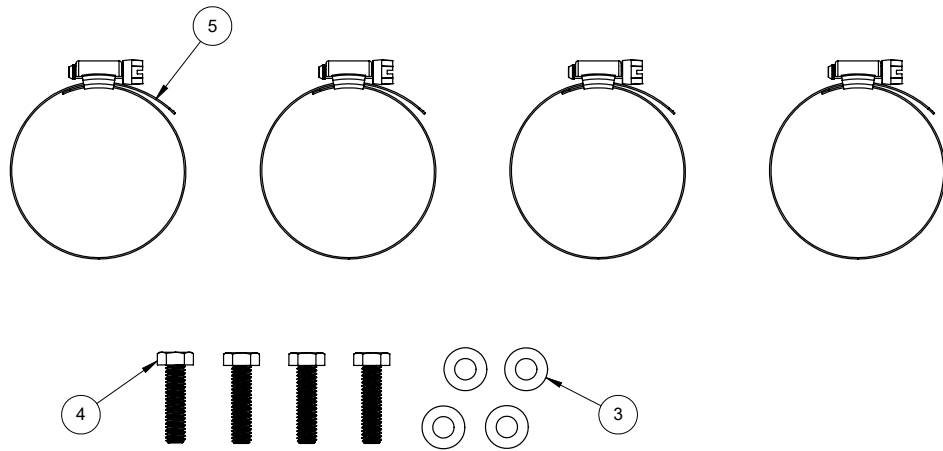
PARTS LIST

	Part No.	Description	Qty.
1	D786RC	Muffler Casing	2
2	D755HP-S	Heat Shield with Badge	1
3	D748HP	Heat Shield	1
4	A107HW	5/16" Flat Washer	4
5	A255HW	5/16-18 x 1.25" Hex Screw	4
6	A276HW	1.81''-2.75'' SS Hose Clamp	4

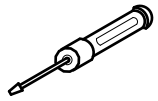
FIGURE 1



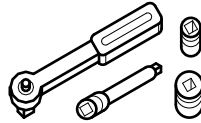
HARDWARE



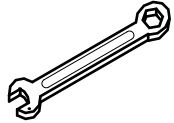
TOOLS REQUIRED



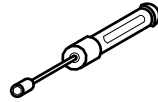
Flat Blade Screwdriver



3/8" Ratchet w/ 9" extension & 1/2", 9/16" Sockets



Combination Wrench: 1/2"



5/16" Nut Driver

STOCK EXHAUST SYSTEM REMOVAL

1. Loosen the heat shield clamps on both front and rear exhaust pipes.
2. Loosen the clamps holding the mufflers onto the head pipes.
3. Remove the four bolts securing the mufflers to the mounting bar.
4. Remove the muffler mounting bar and set aside the mounting bar and hardware for reuse.
5. Remove the stock mufflers by sliding them back off the head pipes.

NOTE: Penetrating oil may be required to loosen muffler from head pipes.

6. Remove the clamp from the nose of each muffler (these will be re-used when installing new mufflers)

VANCE & HINES EXHAUST INSTALLATION

1. Remove the mufflers from their protective packaging.
2. Slide hose clamps into clips inside muffler heat shields. Note direction of clamp screw heads (Figure 3).
3. Slide heat shields on to muffler bodies so that muffler body extends past top of heat shield by 1/4". Make sure that slash angles of the muffler body and heat shields are aligned, and that the logo is positioned as shown (Figure 4). Tighten hose clamps.
4. Slide stock exhaust clamp on to nose of each muffler. NOTE: On the front clamp the nut faces down and the rear clamp on the nut must face up.
5. Loosely install the muffler mounting bar using the stock hardware (Figure 1).
6. Beginning with the front muffler, slide mufflers on to head pipes.
7. Attach muffler brackets to the stock mounting bar using the 5/16" x 1 1/4" hex screws and washers. Leave them loose at this time (Figure 2).
8. Align muffler and bracket so they sit level. Tighten the muffler mounting bolts and the bracket mounting bolts.
9. Tighten the clamps holding the mufflers on to the head pipe.

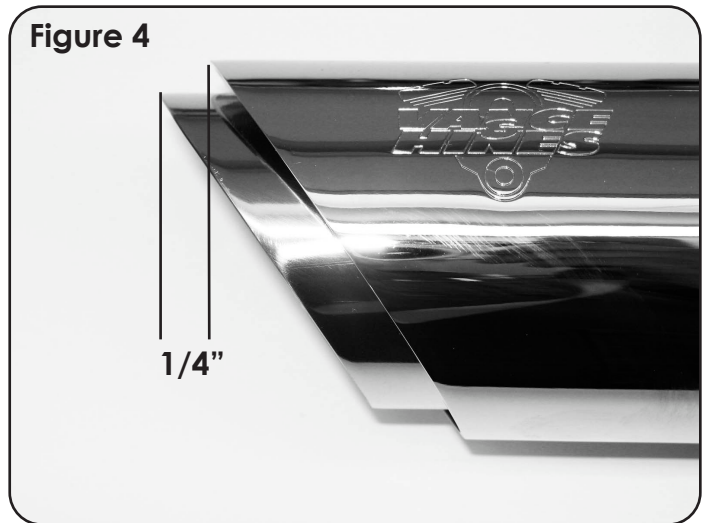
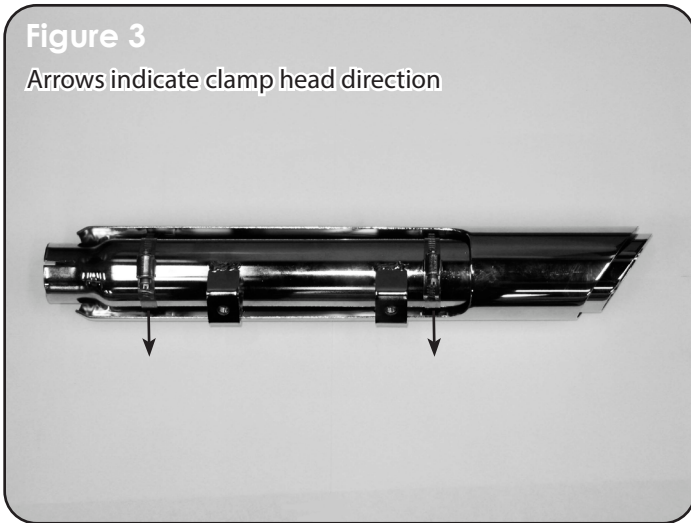
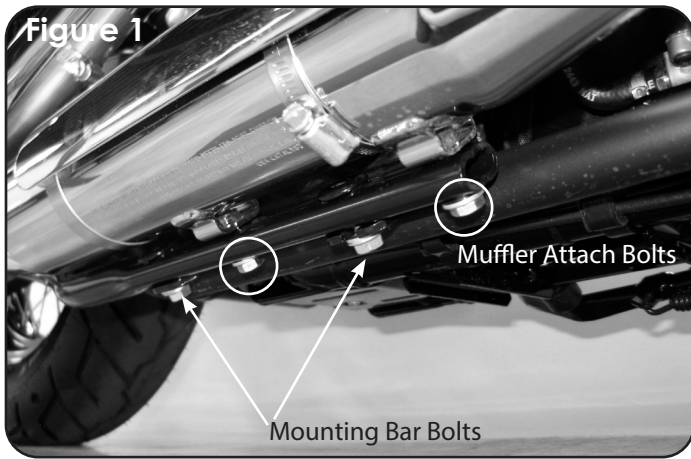
10. Align head pipe heat shields and tighten all of the head pipe hose clamps.
11. Check for adequate clearance between all exhaust system components and motorcycle accessories prone to heat damage.
12. After installation and before starting motorcycle, completely clean pipes and mufflers with cleaning solvent and a clean, soft cloth that will not leave a residue. NOTE: Any residue, oil, or fingerprints will stain the chrome when the metal heats up.
13. **Be sure to tighten all hardware before starting motorcycle.**

EXHAUST CARE (CHROME)

1. When installing a new set of chrome pipes, make sure your hands are clean and free of oil. After installation, thoroughly clean pipes with a soft cloth and cleaning solvent that will leave no residue (chrome wax/polish, glass cleanser, alcohol, ammonia, etc...) before starting the motorcycle.
2. Avoid long periods of idling as this can cause discoloration.
3. Intake leaks can cause the engine to run lean and overheat, this could lead to discoloration.
4. Make sure there are no exhaust leaks at the junction of the exhaust pipes and cylinder head. We recommend replacing gaskets if they are worn.

EXHAUST CARE (BLACK)

1. When installing a new set of black pipes, make sure your hands are clean and free of oil. After installation, thoroughly clean pipes with warm soapy water and a soft cloth. Dry with a clean towel to remove any residue before starting the motorcycle. Do NOT use anything abrasive to clean pipes.
2. Avoid long periods of idling as this can cause discoloration.
3. Intake leaks can cause the engine to run lean and overheat, this could lead to discoloration.
4. Make sure there are no exhaust leaks at the junction of the exhaust pipes and cylinder head. We recommend replacing gaskets if they are worn.



Emissions Notice:

In California, in order to meet Air Resources Board emissions requirements, certain aftermarket part applications have been identified as replacements, and others have received ARB Executive Orders. All other emissions related aftermarket parts are for competition use only. A list of replacement parts and EO parts, and corresponding fitment is provided at vanceandhines.com/california.

Warranty:

All Vance & Hines products are warranted against defects in material and workmanship for a period of 90 days. This warranty does not cover discoloration or rust. This warranty shall be limited to the repair or replacement of the product, which may be proven defective under normal use. Vance & Hines will not warranty any system that has been abused, misused, improperly installed or modified.

Dealers or distributors are not authorized to make dispositions binding upon Vance & Hines. Vance & Hines will not be responsible for any labor charges incurred in removing or replacing any system under warranty. A return authorization number and a copy of the original purchase invoice must accompany all returns. Parts returned without a return authorization may be refused.

13861 ROSECRANS AVENUE / SANTA FE SPRINGS, CA 90670
SALES: (562) 921-5388
TECHNICAL: (562) 926-5291
FAX: (562) 802-0110

vanceandhines
.com