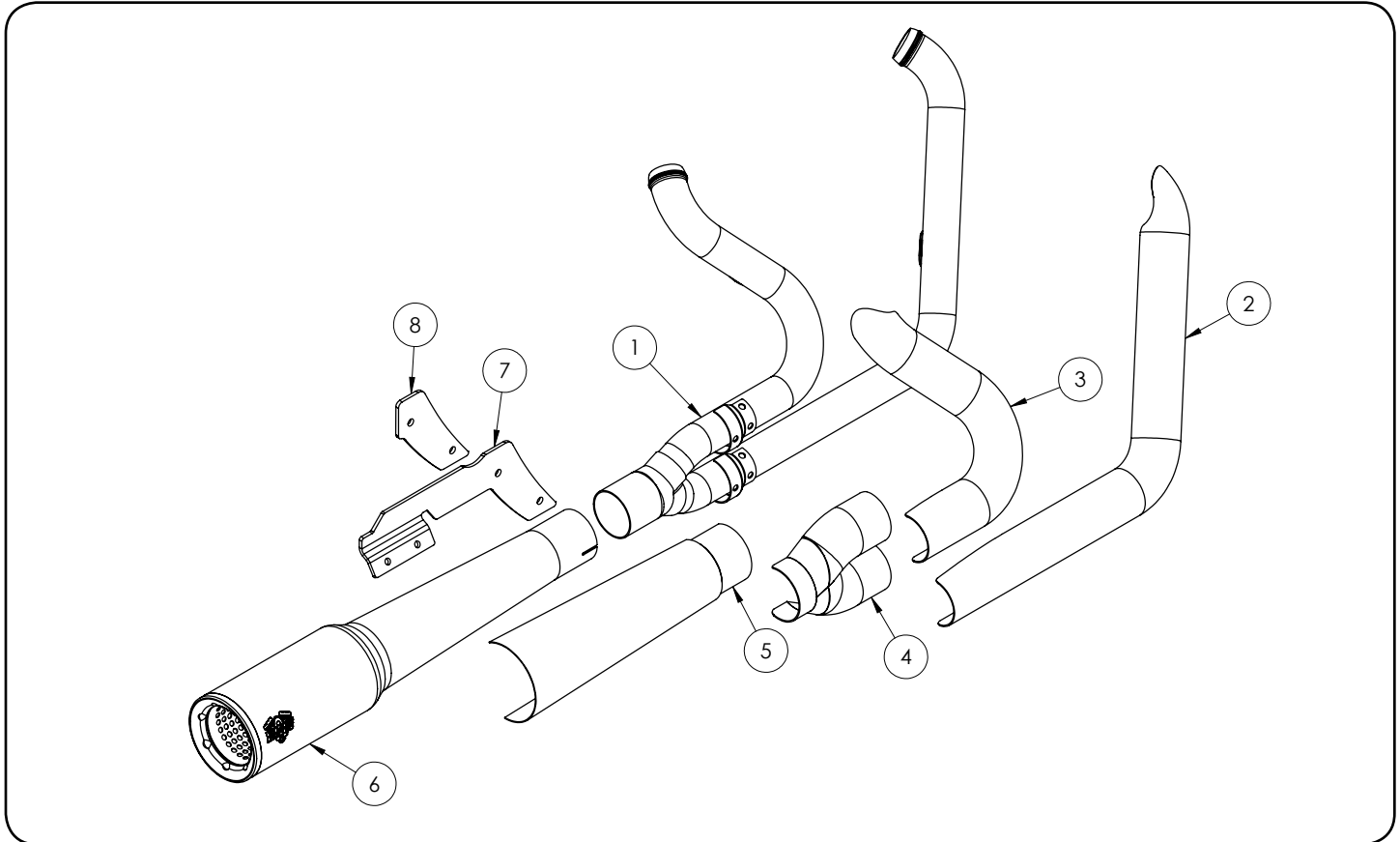


INSTALLATION INSTRUCTIONS: 2018 HARLEY-DAVIDSON SOFTAIL STREET BOB PRO PIPE PART# 17387 / 47387

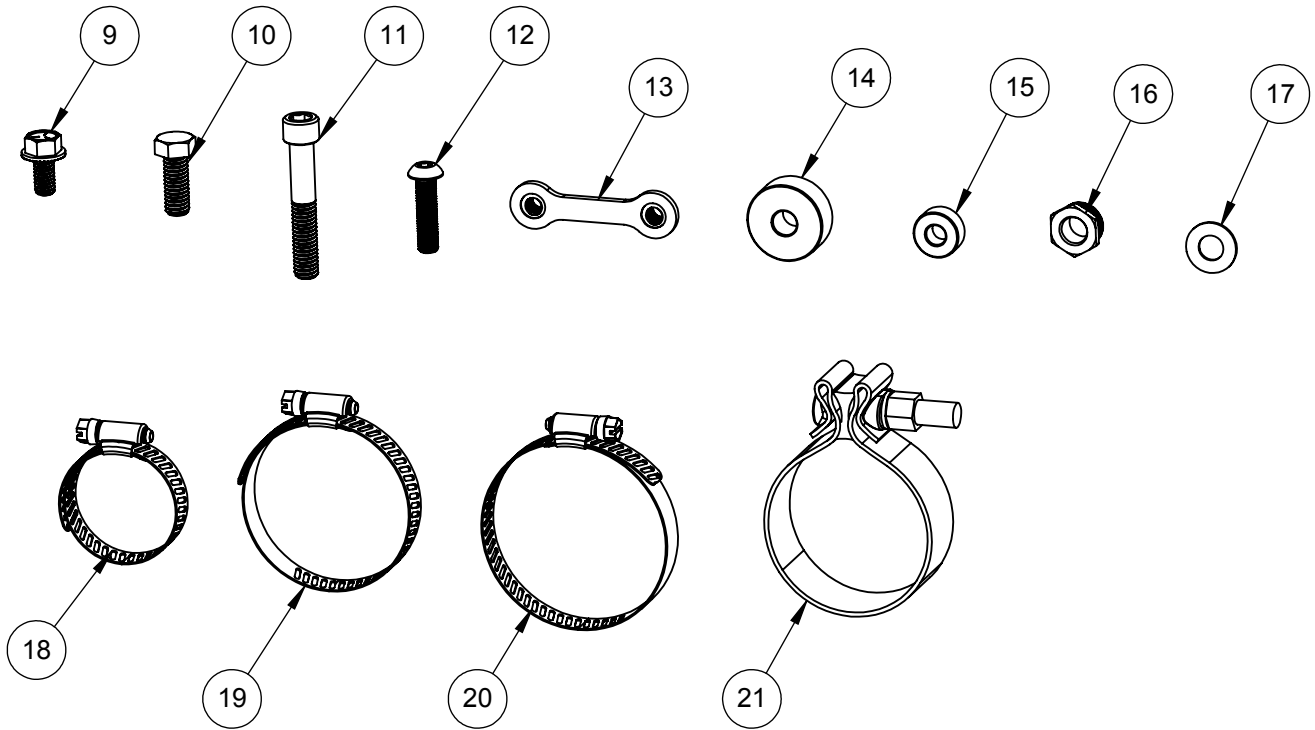
Congratulations, you have purchased the finest exhaust system available for your motorcycle. Your Vance & Hines exhaust is designed and crafted for performance, quality, and style. Please follow the instructions below, check exhaust system for missing or damaged parts and if you need any assistance please contact our technical support line (562) 921-7461.



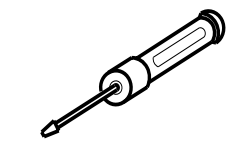
PARTS LIST

PART NO.	Description	Qty.				
1	D1108FC	Header Assembly	1	11	A826HW 3/8"-16 x 2-1/4" SHCS	2
2	D1108HC/D1308HP	Front Heat Shield	1	12	A739HW 5/16"-24 x 1-1/4 BHCS	1
3	D1109HC/D1309HP	Rear Heat Shield	1	13	A195HW Dog Bone Nut Plate	1
4	A210HC/A215HP	Collector Heat Shield	1	14	A740ST-P 1-1/4" x 3/4" Spacer	2
5	D734HC/D739HP	Muffer Heat Shield	1	15	A745HW-P 3/4" Spacer	1
6	D830RC-S/D745RP-S	Muffer Assembly	1	16	A644ST 18-12mm O2 Adapter	2
7	1133-P	Mounting Bracket	1	17	A106HW 3/8" Flat Washer	2
8	1103-P	Bracket Spacer	1	18	A270HW .81-1.75" Hose Clamp	9
9	A240HW	5/16"-18 x 5/8" Hex Bolt	2	19	A273HW No. 44 2.31-3.25" Hose Clamp	1
10	A260HW	3/8"-16 x 1" Hex Bolt	2	20	A274HW No. 56 3.06-4.06" Hose Clamp	1
				21	A337HW 2-5/8" Torca Band Clamp	1

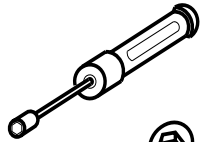
HARDWARE



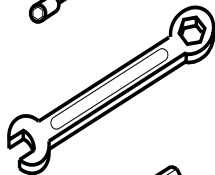
TOOLS REQUIRED



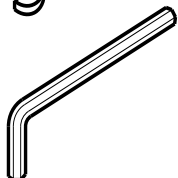
Flat blade screwdriver



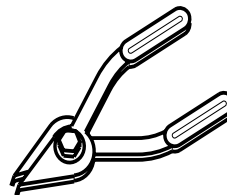
5/16" Nutdriver



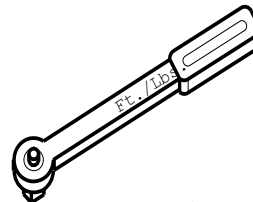
1/2", 9/16", & 14mm
Combination Wrenches



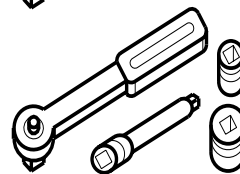
5/32", 3/16", & 5/16"
Allen Wrench



Snap ring Pliers



Ft.Lb. Torque Wrench



Ratchet & Extensions

1/2", 19mm or 3/4"
Sockets

9/16" & 15mm deep
sockets

STOCK EXHAUST SYSTEM REMOVAL

1. Locate the rear O2 sensor connector. Remove the two bolts holding the right side cover in place and gently pull cover off bike. NOTE: Pay attention to the wire routing for re-installation.
2. Locate the front O2 sensor connector. Unplug the sensor and feed the end of the wire through the frame, freeing it from the motorcycle.
3. On floor-board models, loosen the right-hand floor board mounting bolts to gain clearance for the exhaust removal and installation.
4. On mid-mount models, remove the forward brake rod bolt and remove the mid mount foot peg bracket.
5. On forward control models, loosen mounting bolts to gain clearance for exhaust removal and installation.
6. Loosen the heat shield clamps on both the front and rear exhaust pipes.
7. Remove the two mounting nuts from each head pipe, located at the cylinder head.
8. Remove the bolts attaching the mufflers to the mounting bracket.
9. Remove the entire exhaust system and set it aside.
10. Remove the stock mounting bracket. (If mounting bracket is equipped with a passenger foot peg, remove foot peg and foot peg mount from stock bracket.)
11. Carefully remove the O2 sensors from the stock head pipes and save for re-use with the new system.
12. Carefully remove the exhaust port flanges and circlips from the stock exhaust system using the snap ring pliers. **NOTE:** Replace bent or damaged circlips.

VANCE & HINES EXHAUST INSTALLATION

1. Install 1133-P bracket and 1103-P bracket spacer onto frame using two 3/8-16" x 1" hex bolts (supplied) along with the the 3/8" flat washer (supplied) **(Figure 1)**. **Note:** 1103-P bracket spacer fits between 1133-P bracket and frame. Heritage Deluxe with Harley Davidson P&A saddlebags and Sport Glide models will require purchase of VH Part # - 21946 Saddlebag Relocation Mount that will replace 1103-P bracket spacer.
2. Remove head pipes and heat shields from protective packaging. Place each heat shield on a non-abrasive surface such as a blanket or carpet. For chrome use a felt tip pen and for black, use a pencil, to mark the outside edge of each heat shield to show the location of the hose clamp mounting clips **(Figure 5)**.
3. Lay header assembly into front and rear heat shields and loosely install the #20 hose clamps (supplied) into mounting clips. Screw heads should be accessible when the system is installed on motorcycle for adjustment purposes **(Figure 5)**.
4. Apply a small amount of anti-sieze compound to the threads of the oxygen sensors and install supplied 18mm to 12mm oxygen sensor adapter then install 12mm oxygen sensors. **NOTE:** Be careful not to get anti-sieze on sensor tip, as it may affect sensor function.
5. Install flanges and circlips from stock system onto the new header pipes.
6. Using stock flange nuts, carefully install the header assembly onto the motorcycle. **NOTE:** Finger tighten only at this time.

VANCE & HINES EXHAUST INSTALLATION CONTINUED

7. Install torca band clamp with bolt facing down (supplied) onto the end of the muffler body (**Figure 4**).
8. Install muffler assembly onto rear of header assembly.
9. Slide the nut plate (supplied) into the bracket that is welded to the back side of the muffler. Loosely install two 5/16" flange head bolts (supplied) through the 1133-P bracket onto the nut plate.
10. Install collector heat shield onto header by sliding it on from the rear (**Figure 3**). **NOTE:** Do not force collector heat shield directly onto header from the side. Damage to the collector heat shield will result. Attach collector heat shield with two #20 hose clamps (supplied). Finger tighten only at this time.
11. Slip the muffler body heat shield (stamped D734HC or D739HP) from front to back onto the muffler body and secure with a #44 hose clamp in the front and a #56 hose clamp in the rear (**Figure 5**). **NOTE:** Use a low tack tape (painters tape or equivalent) to protect the transition on the muffler body between tapered section and 4.5" round end section. Do not tighten at this time.
12. Tighten the exhaust port flange nuts, 5/16" flange head bolts, and tighten the torca band clamps.
13. Tighten hose clamps securing header heat shields and collector heat shield making sure that they are flush (**Figure 3**).
14. Tighten muffler body heat shield and leave about 1/16" even gap on the rear between heat shield and muffler body. Make sure top edge of heat shield is aligned with centerline of muffler body to maintain acceptable clearance.
15. Route O2 sensor wires away from hot areas of the motorcycle. Plug the O2 sensor wires back into the wiring harness.
16. Re-install right side cover.
17. On floor-board models, tighten the floor board mounting bolts to OEM torque specifications.
18. On mid-mount models, re-install mid-mount foot peg with spacers (A740ST-P) and bolts (A826HW). Additionally, place spacer (A745HW-P) in between the brake rod and lever. Fasten with the supplied button head cap screw, A739HW (**Figure 2**).
19. On forward control models, tighten the mounting bolts to OEM torque specifications.
20. For models with passenger foot peg attached to the stock exhaust bracket, re-install the left and right side passenger foot pegs into the upper mounting holes (**Figure 6**).
21. Be sure to tighten all hardware before starting your motorcycle. After installation and before starting the motorcycle, completely clean pipes and mufflers with soap and water and a clean soft cloth. **NOTE:** Any residue, oil, or fingerprints will stain the chrome when the metal heats up.

EXHAUST CARE

1. When installing a new set of chrome pipes, make sure your hands are clean and free of oil. After installation, thoroughly clean pipes with a soft cloth and cleaning solvent that will leave no residue before starting the motorcycle.
2. Avoid long periods of idling as this can cause discoloration.
3. Intake leaks can cause the engine to run lean and overheat, this could lead to discoloration.
4. Make sure there are no exhaust leaks at the junction of the exhaust pipes and cylinder head. We recommend replacing gaskets if they are worn.

EXHAUST CARE (BLACK)

1. When installing a new set of black pipes, make sure your hands are clean and free of oil. After installation, thoroughly clean pipes with a warm soapy water and a soft cloth. Dry with a clean towel to remove any residue before starting the motorcycle. Do NOT use anything abrasive to clean the pipes.
2. Avoid long periods of idling as this can cause discoloration.
3. Intake leaks can cause the engine to run lean and overheat, this could lead to discoloration.
4. Make sure there are no exhaust leaks at the junction of the exhaust pipes and cylinder head. We recommend replacing gaskets if they are worn.

FIGURE 1



FIGURE 2



FIGURE 3

POSITION FRONT EDGE OF COLLECTOR HEAT SHIELD AT REAR EDGE OF COLLECTOR COLLAR WELD AND SLIDE FORWARD

HEAT SHIELDS SHOULD BE FLUSH

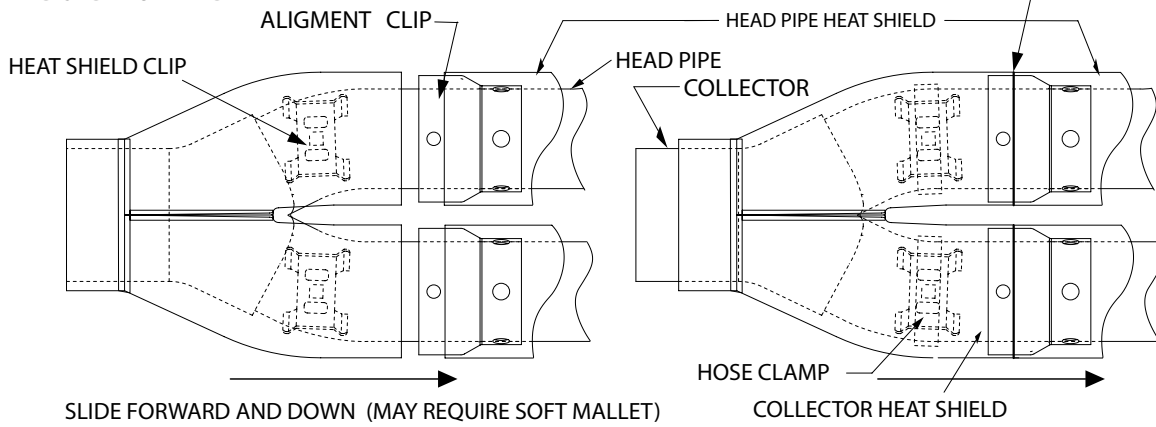


FIGURE 4

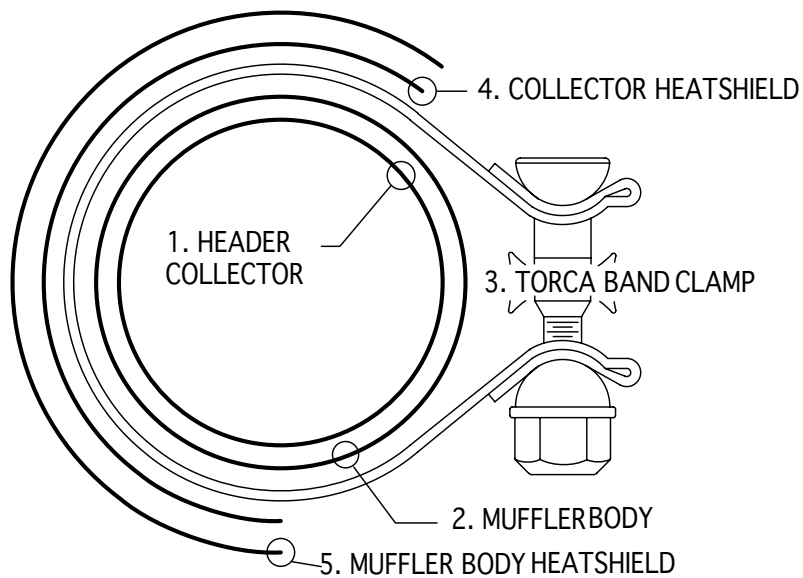


FIGURE 5

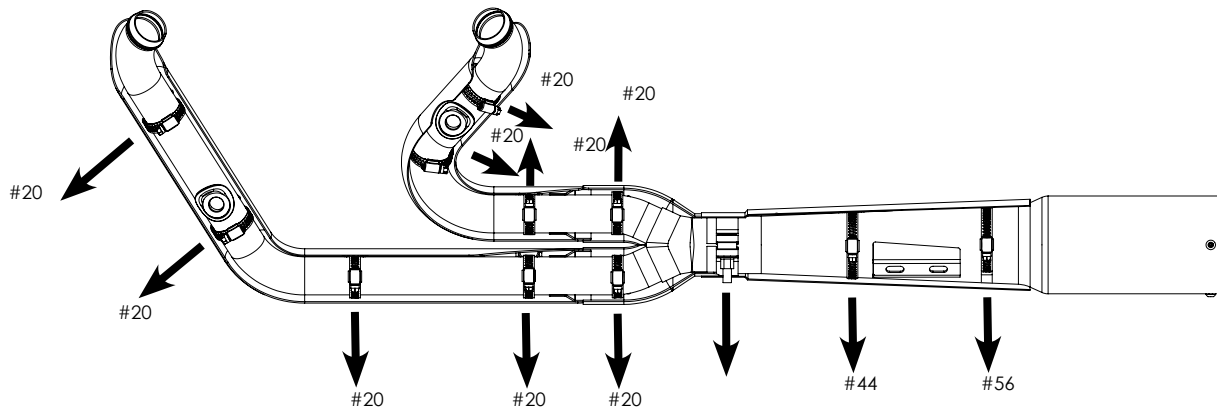


FIGURE 6



Emissions Notice:

In California, in order to meet Air Resources Board emissions requirements, certain aftermarket part applications have been identified as replacements, and others have received ARB Executive Orders. All other emissions related aftermarket parts are for competition use only. A list of replacement parts and EO parts, and corresponding fitment is provided at vanceandhines.com/california.

Warranty:

All Vance & Hines products are warranted against defects in material and workmanship for a period of 90 days. This warranty does not cover discoloration or rust. This warranty shall be limited to the repair or replacement of the product, which may be proven defective under normal use. Vance & Hines will not warranty any system that has been abused, misused, improperly installed or modified.

Dealers or distributors are not authorized to make dispositions binding upon Vance & Hines. Vance & Hines will not be responsible for any labor charges incurred in removing or replacing any system under warranty. A return authorization number and a copy of the original purchase invoice must accompany all returns. Parts returned without a return authorization may be refused.

13861 ROSECRANS AVENUE / SANTA FE SPRINGS, CA 90670
SALES: (562) 921-5388
TECHNICAL: (562) 926-5291
FAX: (562) 802-0110

vanceandhines
.com